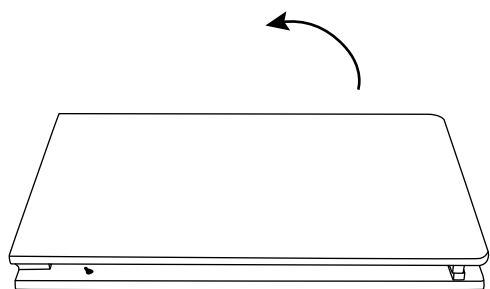


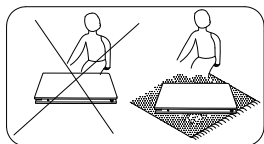
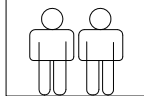
TABLE x 1

OPEN

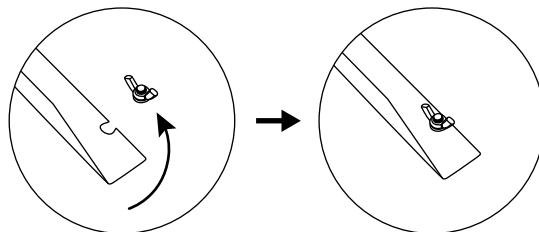
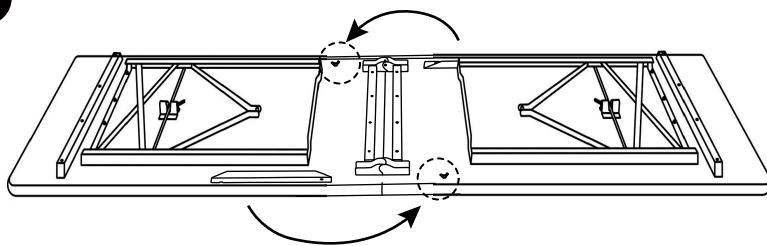
1



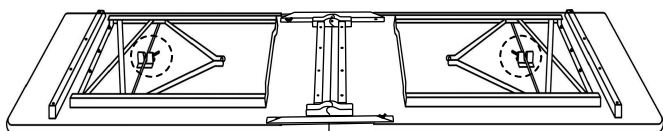
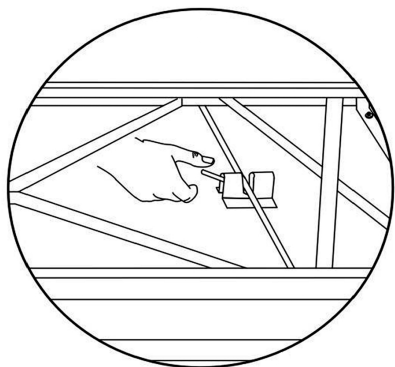
2 PERSONS



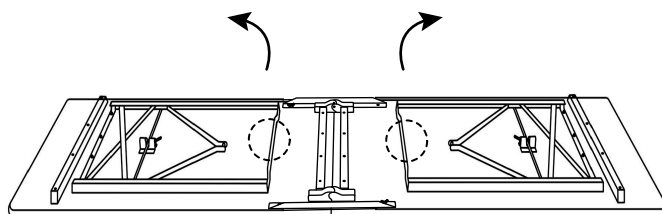
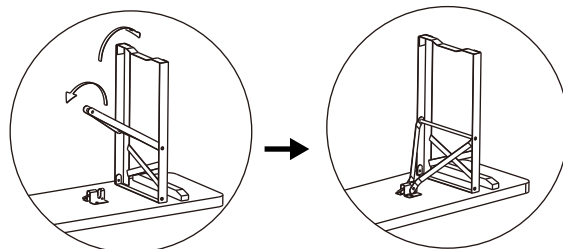
2



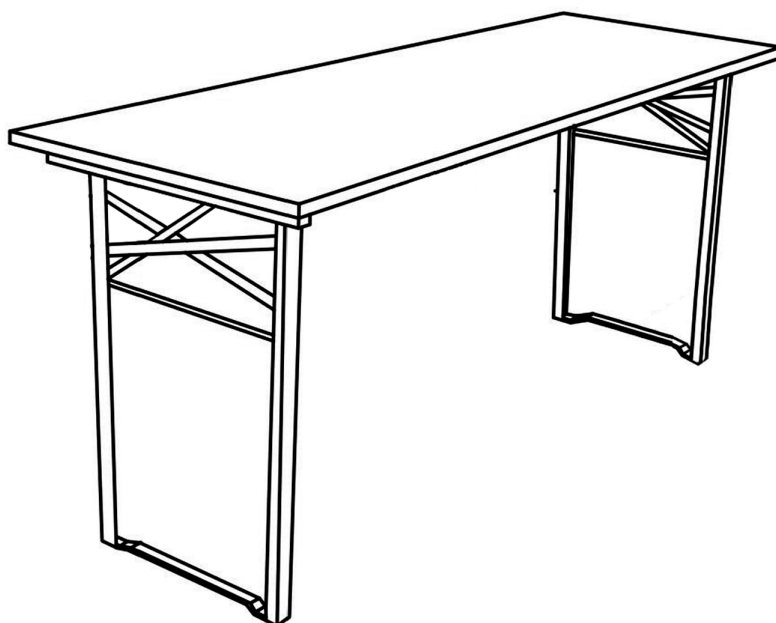
3



4

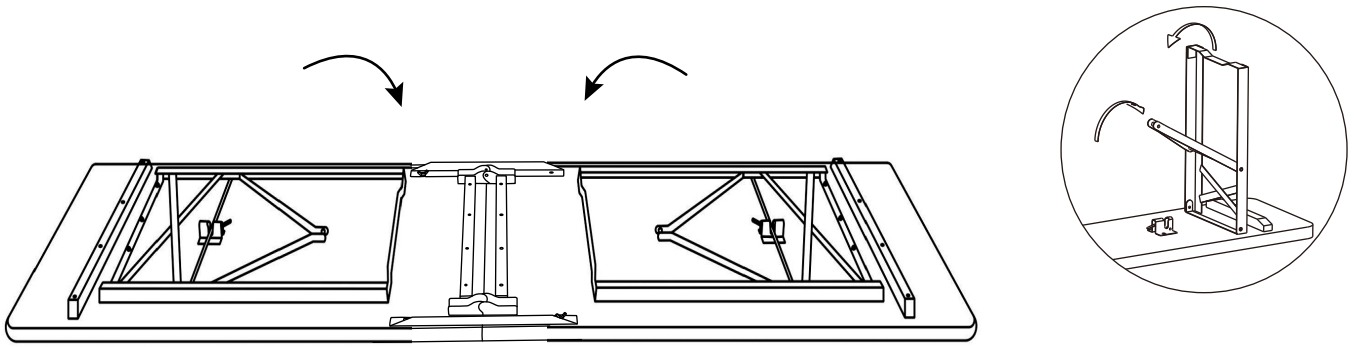


5

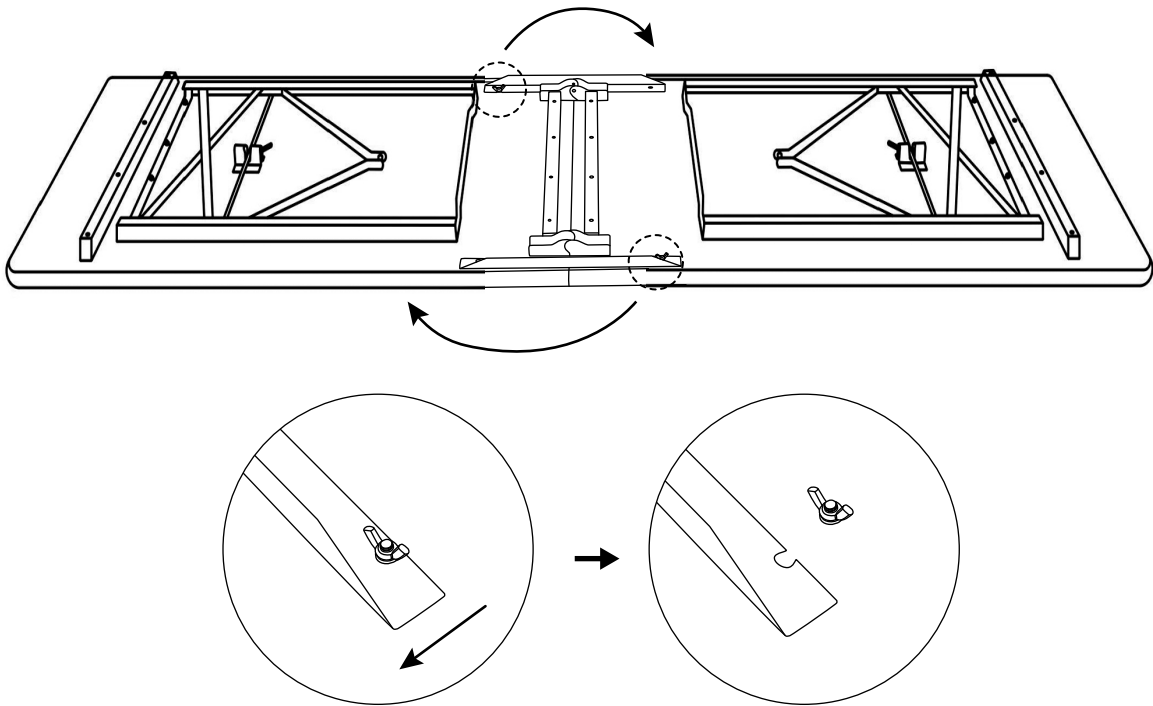


CLOSE

1

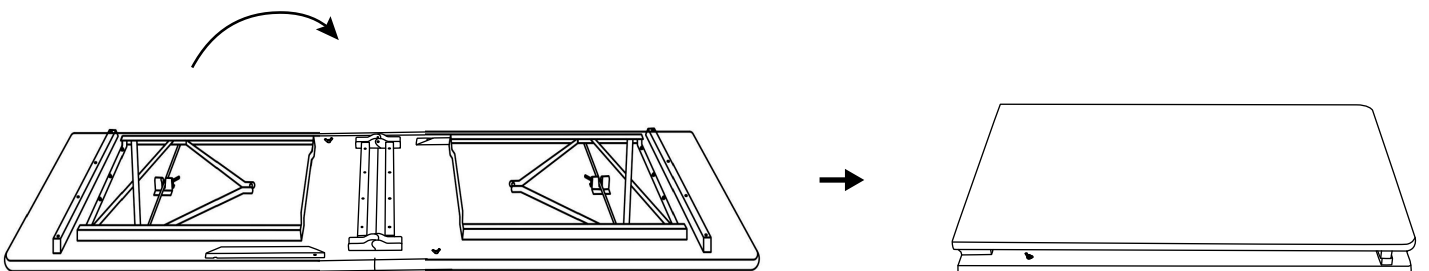


2



Before folding the table, please make sure that these 2 parts are unlocked.

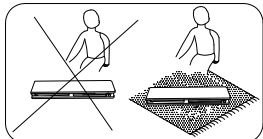
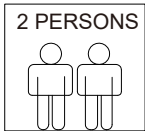
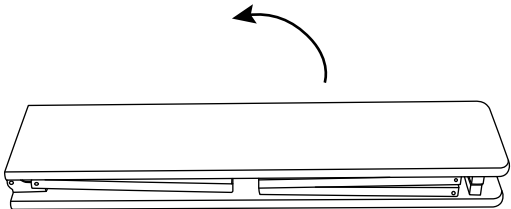
3



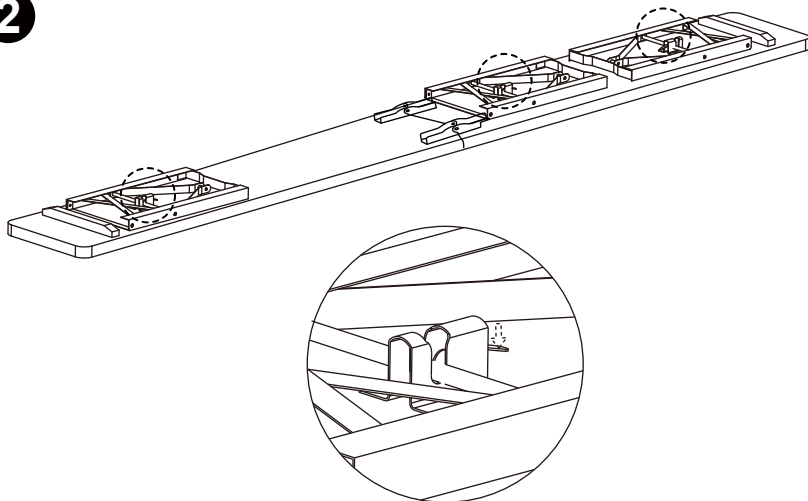
BENCH x 2

OPEN

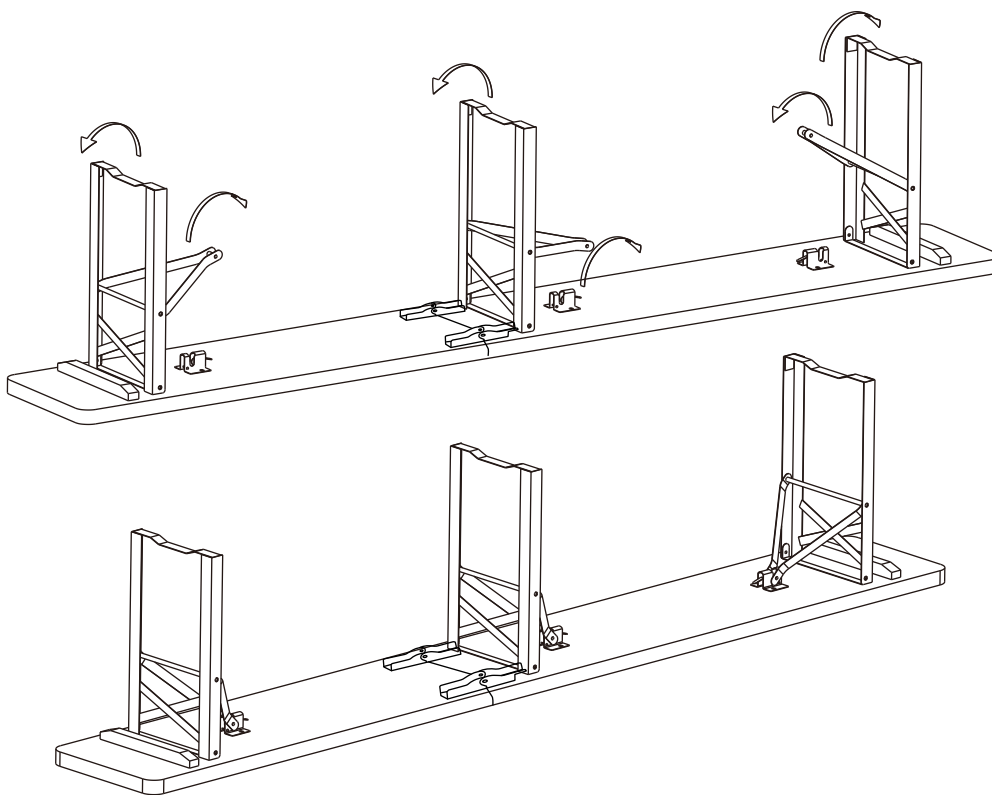
1



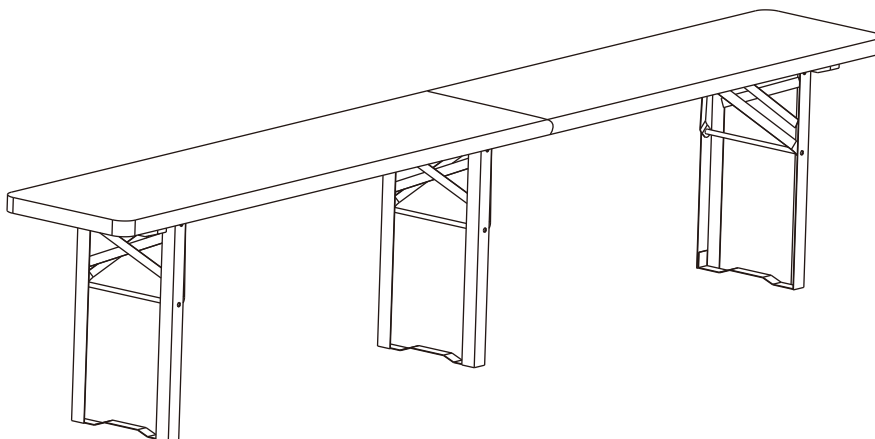
2

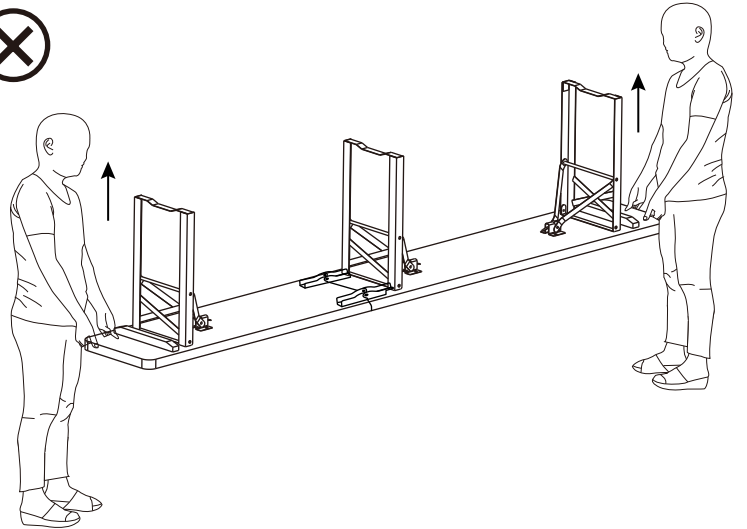
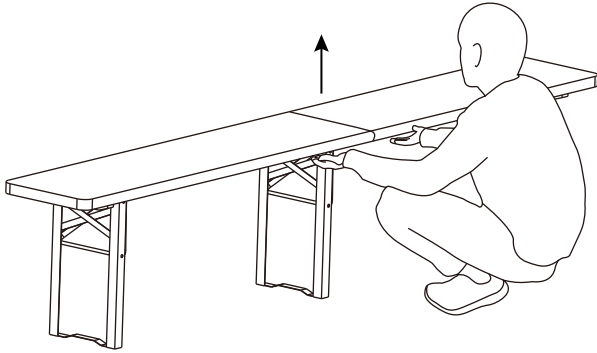


3



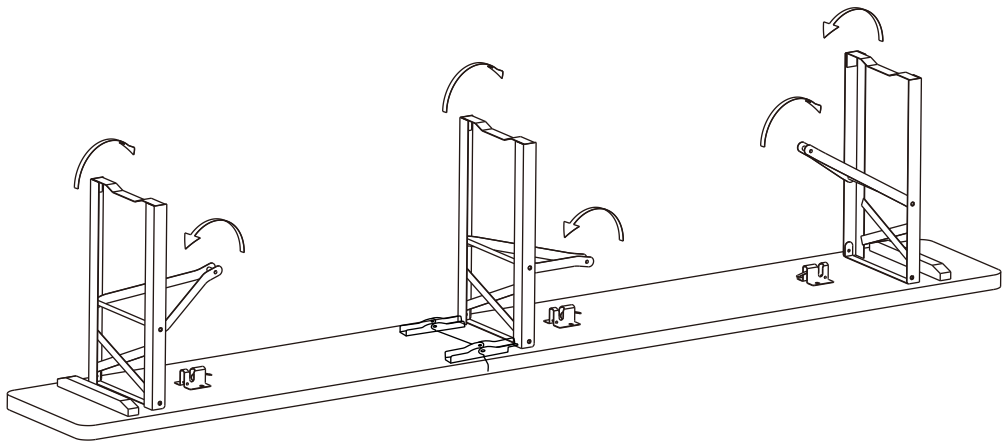
4



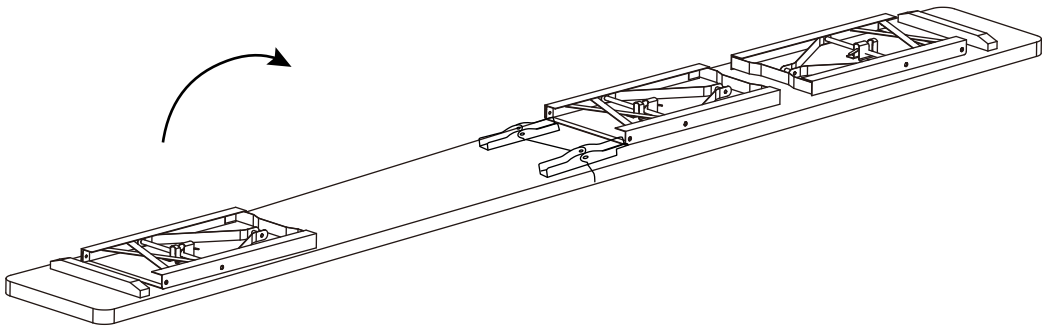


CLOSE

1



2



3

